

**weber**mf

The Brand of Progress

**SRV/SRX**



Vibratory Tampers

**SRV/SRX**

# Vibratory tampers from Weber MT: quality that will get you ahead

Quality has no equal, especially when it comes to construction equipment. It is easy to recognize the quality being built into every vibratory tamper manufactured by Weber MT. Excellent compaction results, exemplary operating comfort and rugged design are the essential requirements vibratory tampers must meet. Customers looking to purchase a premium quality tamper need to look no further than the powerful machines being offered by Weber MT.

Regardless of the job requirements Weber MT has a vibratory tamper to meet the customer's needs, from earth compaction in sewage and trench construction, compaction of backfill, shoulder compaction or patching repairs in road construction to their use in gardening and landscaping.

All vibratory tampers from Weber MT are subject to extensive test runs under realistic every-day job site conditions and are available in two models with 4-stroke gasoline engine and two models with Diesel engine. This means for you: practice-proven quality.



## Quality “in four-stroke”

The four-stroke engines in the SRV 620 and SRV 66 vibratory tampers – mixing oil and gas is no longer necessary – excel by their outstanding starting behaviour and their low exhaust emission. A special fuel tank with a capacity of 3 l ensures long running times. In addition: integrated fuel filter, tank cap with ventilation and de-aeration and possibility to hang up the tank cap during refueling.

### Advantages of Weber MT's tampers

- ▶ High tamping outputs.
- ▶ Components optimally matched to each other.
- ▶ Maximum reliability due to the use of high-quality materials.
- ▶ High wear resistance thanks to special material treatment processes such as the ceramic-like coating applied on the guide cylinder.
- ▶ Low maintenance efforts.



**Learn about our quality standard.**

Practical site requirements, not theoretical standards, constitute the bases of our quality concept.

Therefore we invest in modern manufacturing processes using the latest in measuring and testing technology. Our highly qualified and motivated personnel ensure the high technical level and outstanding operational reliability of our tampers within the scope of this quality concept.

**Vibratory tampers from Weber MT: secure quality for you and your customers.**



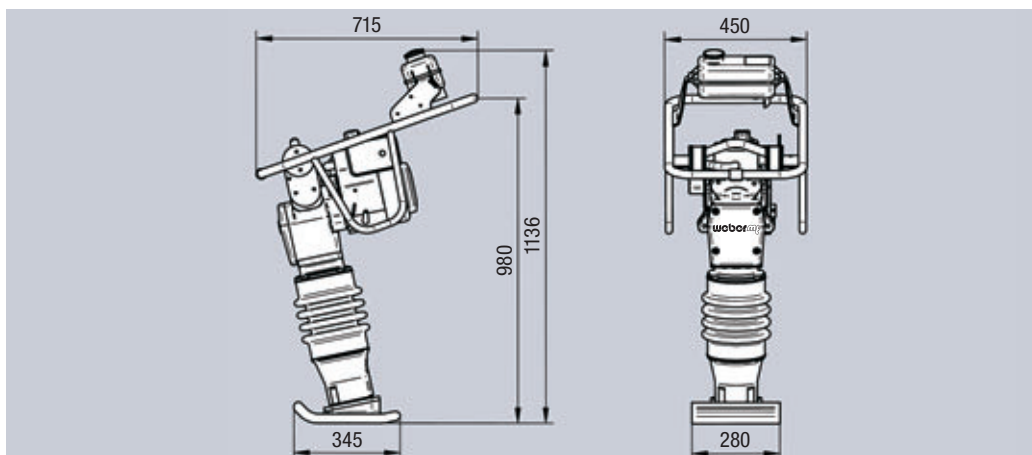
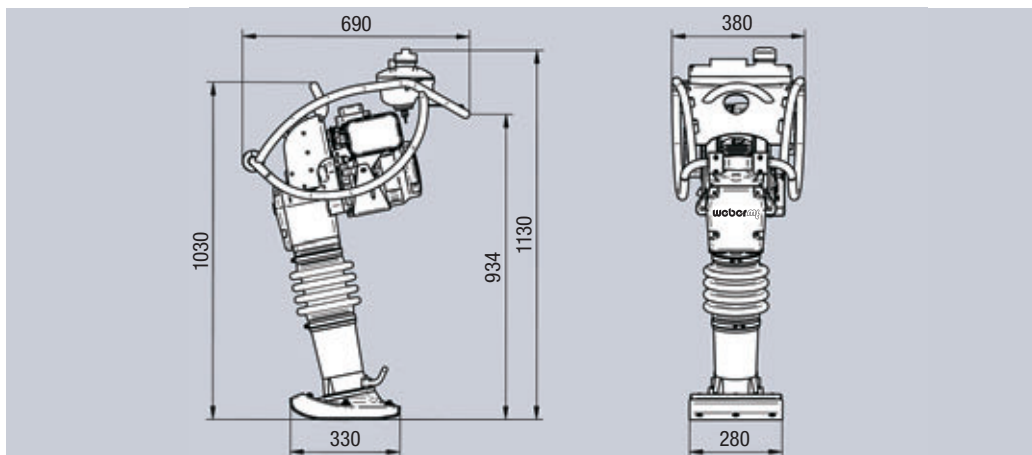
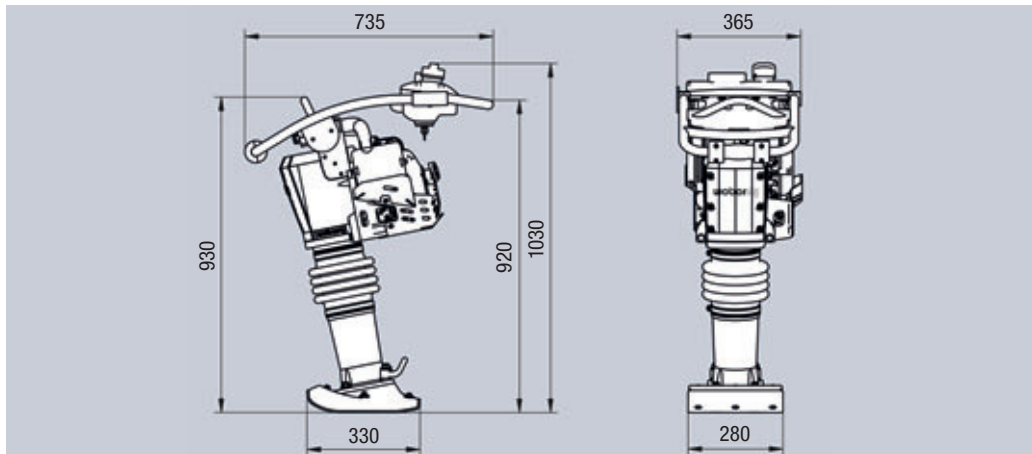
**Additional features**

- ▶ Active oil lubrication system for reliable supply of oil to all components in the crankcase.
- ▶ Block impact protection preventing the tamping system from being damaged.
- ▶ Excellent operating characteristics due to the special form of the rugged and wear-resistant tamping shoe.
- ▶ Highly efficient air filter systems – SRV 620 and SRV 66 with cyclone pre-cleaner – protect the engine against penetration of dirt.
- ▶ Low engine oil warning light (SRV 620). During starting, the electronics reliably measures the engine oil level. A light-emitting diode illuminates to indicate a lack of engine oil.
- ▶ Carrying handles and rollers for easy transport.

## Technical data

Type		SRV 620	SRV 66	SRX 75 D/DH
Operating weight CECE	kg (lbs)	66 (145)	72 (159)	78 (171)/81 (179)
Shoe width	mm (in.)	280 (11)	280 (11)	280 (11)
Percussion	per min.	700	670	670
Stroke	mm (in.)	65 (2.6)	70 (2.8)	70 (2.8)
Impact energy/stroke force	J/kN (ft.lbs/lbs)	80/13 (59/2,920)	88/16 (65/3,595)	88/16 (65/3,595)
Engine make		Honda GX 100	Robin EH 12	Yanmar L 40/Hatz 1 B 20
Engine type		4-stroke gasoline	4-stroke gasoline	Diesel
Engine output max.	kW (HP)	2.5 (3.4)	3.0 (4.1)	3.1 (4.2)/3.6 (4.9)
Operating speed	r.p.m.	4,100	3,600	3,600

We reserve the right to alter specifications.



Dimensions in mm.

Weber Maschinentechnik GmbH

Im Boden 5 - 8, 10 · 57334 Bad Laasphe · Germany · P.O. Box 21 53 · 57329 Bad Laasphe · Germany  
 Phone: +49 (0) 27 54/3 98-0 · Fax: +49 (0) 27 54/3 98-101 · E-Mail: info@webermt.de · Internet: www.webermt.de