

weberm

The Brand of Progress

CR



Reversible
Soil Compactors

CR 3/CR 4/CR 5



CR 5 E



CR 4 E



Don't compromise!

Optimum compaction, trouble-free operation, supreme ease of maintenance and reliable quality ensuring long operating hours: CR soil compactors meet all these requirements, with exemplary results. CR soil compactors have become a yardstick of modern engineering, because progressive development and sophisticated manufacturing technology have been incorporated in a new concept. Partly the reason why CR soil compactors rate high with rental service companies.

Featuring different measurements, centrifugal forces and engine types CR soil compactors meet a wide range of individual demands. Compaction depths of up to 60 cm indicate the performance.

Fields of application: compaction of sand, gravel, crushed aggregates and of block pavements in the gardening and landscaping sector as well as in road, sewer and trench construction.



Safety and comfort.
Infinitely variable hydraulic control of forward and reverse travel with deadman's function. The low-vibration guide bar considerably reduces hand/arm vibrations.



Everything under control.
The electric starter of the CR 3 E, CR 4 E and the CR 5 E provides practical operational comfort.
Photo: CR 5 E



Reliable and maintenance-friendly.
The self-adjusting centrifugal clutch eliminates the need to check the V-belt.



Operational safety in detail

- ▶ The throttle control lever is always in the operator's field of view and allows convenient use.
- ▶ The engine is protected from external damage by a protection frame and an engine cover.
- ▶ Easy access to all maintenance points simplifies service tasks.
- ▶ Due to the large lifting eye the machines can be loaded safely and quickly.
- ▶ All machines can be equipped with a self-tightening polyurethane pad ensuring gentle and low-noise compaction of block pavements (optional).

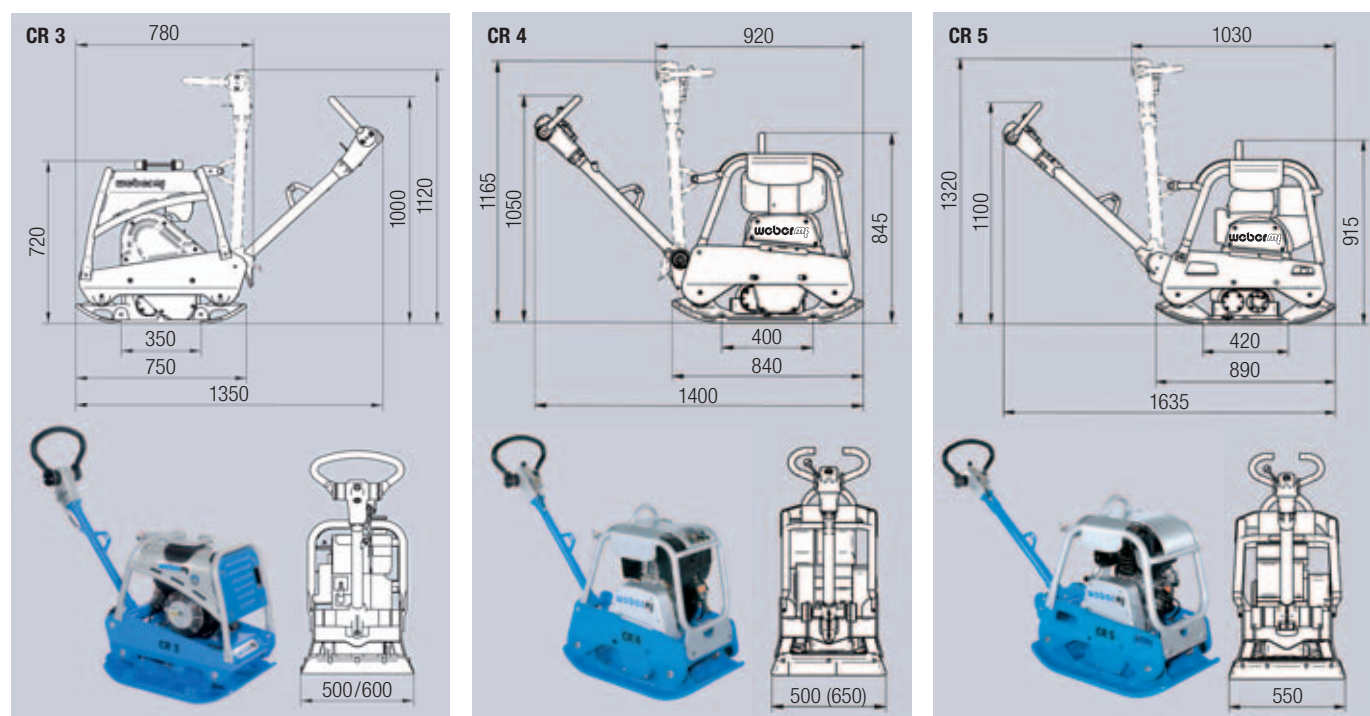
Technical data

Type		CR 3	CR 3 E	CR 3 Hd
Operating weight to CECE	kg (lbs)	206 (454)	224 (494)	203 (448)
Centrifugal force	kN (lbs)	34 (7650)	34 (7650)	34 (7650)
Frequency	Hz (r.p.m.)	80 (4800)	80 (4800)	80 (4800)
Operating width	mm (in.)	500/600*700* (20/24*/28*)	500/600*700* (20/24*/28*)	500/600*700* (20/24*/28*)
Engine manufacturer		Hatz 1 B 20	Hatz 1 B 20	Honda GX 270
Engine type		Diesel	Diesel	Gasoline
Engine output according to DIN 70020	kW (HP)	3.4 (4.6)	3.4 (4.6)	6.6 (9.0)
Starter		Recoil	Electric	Recoil
Working speed	m/min. (ft/min.)	0-20 (0-66)	0-20 (0-66)	0-20 (0-66)

Type		CR 4/CR 4-65	CR 4 E/CR 4-65 E	CR 4 Hd/CR 4-65 Hd
Operating weight to CECE	kg (lbs)	248/260 (547/573)	271/283 (597/624)	231/243 (509/536)
Centrifugal force	kN (lbs)	38 (8550)	38 (8550)	38 (8550)
Frequency	Hz (r.p.m.)	68 (4080)	68 (4080)	68 (4080)
Operating width	mm (in.)	500/650 (20/26)	500/650 (20/26)	500/650 (20/26)
Engine manufacturer		Hatz 1 B 30	Hatz 1 B 30	Honda GX 270
Engine type		Diesel	Diesel	Gasoline
Engine output according to DIN 70020	kW (HP)	5.6 (7.6)	5.6 (7.6)	6.6 (9.0)
Starter		Recoil	Electric	Recoil
Working speed	m/min. (ft/min.)	0-22 (0-72)	0-22 (0-72)	0-22 (0-72)

Type		CR 5	CR 5 E	CR 5 Hd
Operating weight to CECE	kg (lbs)	319 (703)	342 (754)	301 (664)
Centrifugal force	kN (lbs)	40 (9000)	40 (9000)	40 (9000)
Frequency	Hz (r.p.m.)	72.5 (4350)	72.5 (4350)	72.5 (4350)
Operating width	mm (in.)	550 (22)	550 (22)	550 (22)
Engine manufacturer		Lombardini 15 LD 400	Lombardini 15 LD 400	Honda GX 390
Engine type		Diesel	Diesel	Gasoline
Engine output according to DIN 70020	kW (HP)	7.3 (10.0)	7.3 (10.0)	9.6 (13.0)
Starter		Recoil	Electric	Recoil
Working speed	m/min. (ft/min.)	0-22 (0-72)	0-22 (0-72)	0-22 (0-72)

We reserve the right to alter specifications. *Working width with extension plates.



Dimensions in mm.

Weber Maschinentechnik GmbH

Im Boden 5 - 8, 10 · 57334 Bad Laasphe · Germany · P.O. Box 21 53 · 57329 Bad Laasphe · Germany
Phone +49 (0) 27 54/3 98 - 0 · Fax +49 (0) 27 54/3 98 - 101 · E-Mail info@webermt.de · Internet www.webermt.de